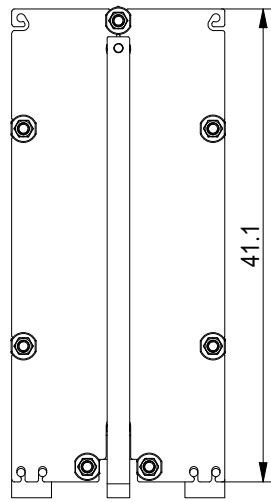
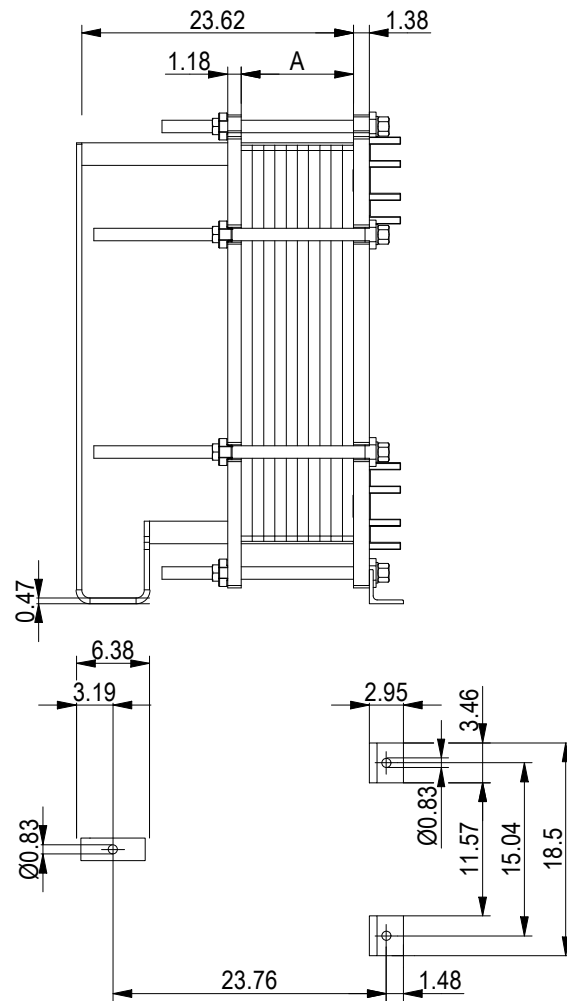


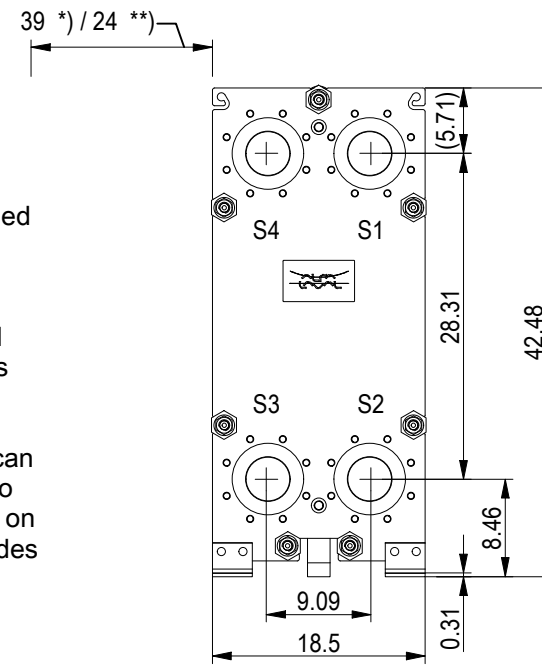
PRESSURE PLATE
(MOVABLE)



Space between pressure plate and supporting column should be kept free from fixed installations!

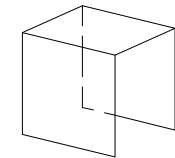
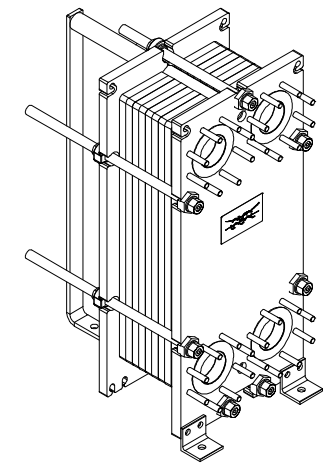


FRAME PLATE

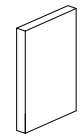


*) Recommended free space for opening and closing to be applied on both sides

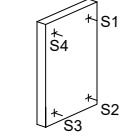
**) Free space can be reduced to this distance on one of the sides



PROTECTION SHEET



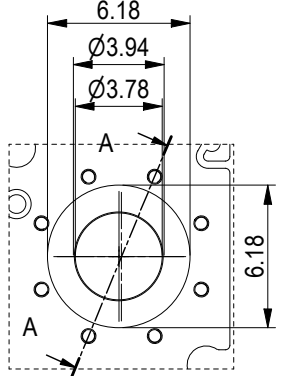
PRESSURE PLATE



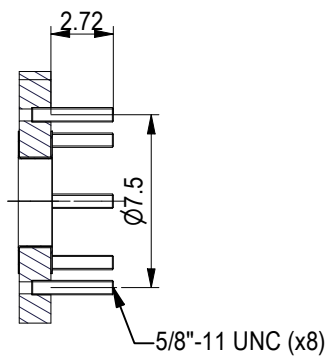
FRAME PLATE

ASME B16.5 Class 150 NPS 4

S1, S2, S3, S4



A-A:
ALLOY 316



5/8"-11 UNC (x8)

All dimensions in inches

TIGHTENING BOLTS
4 x M24, L = 24.7 in
3 x M24, L = 18.8 in

APPROX. OUTER DIMENSIONS
LENGTH 28.3 in
WIDTH 18.9 in
HEIGHT 41.3 in
APPROX. WEIGHTS
NET WEIGHT, EMPTY 796 lb
WEIGHT FULL OF WATER 910 lb
PLATE MATERIAL ALLOY 316
PLATE THICKNESS 0.5 mm
GASKET NBRP ClipGrip™

HEAT EXCHANGED		10,430 kBtu/h		NO. OF UNITS		1		DESIGN PRESSURE		DESIGN TEMPERATURE		TEST	OPERATING
SIDE	MEDIA	INLET	TEMP.	OUTLET	TEMP.	FLOW RATE	PRES. DROP	MAX.	MIN.	MAX.	MIN.	PRESSURE	MAX. TEMP.
1		S1	MH	S2	MH			150 psi	0 psi	266 °F	32.0 °F	195 psi	
2		S3	ML	S4	ML			150 psi	0 psi	266 °F	32.0 °F	195 psi	

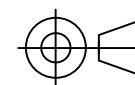


www.alfalaval.com

DRAWING
GASKETED PLATE HEAT EXCHANGER
T10-BFG

ASME
Code Section VIII Div.1

MAWP 150 psi at 266 °F
MDMT 32.0 °F at 150 psi
Designed and constructed in accordance with the 2019 ASME Code.



T10B 80 PL

Do not use this drawing for foundation bolting or piping layout

DATE 5/24/21
REVISION 0